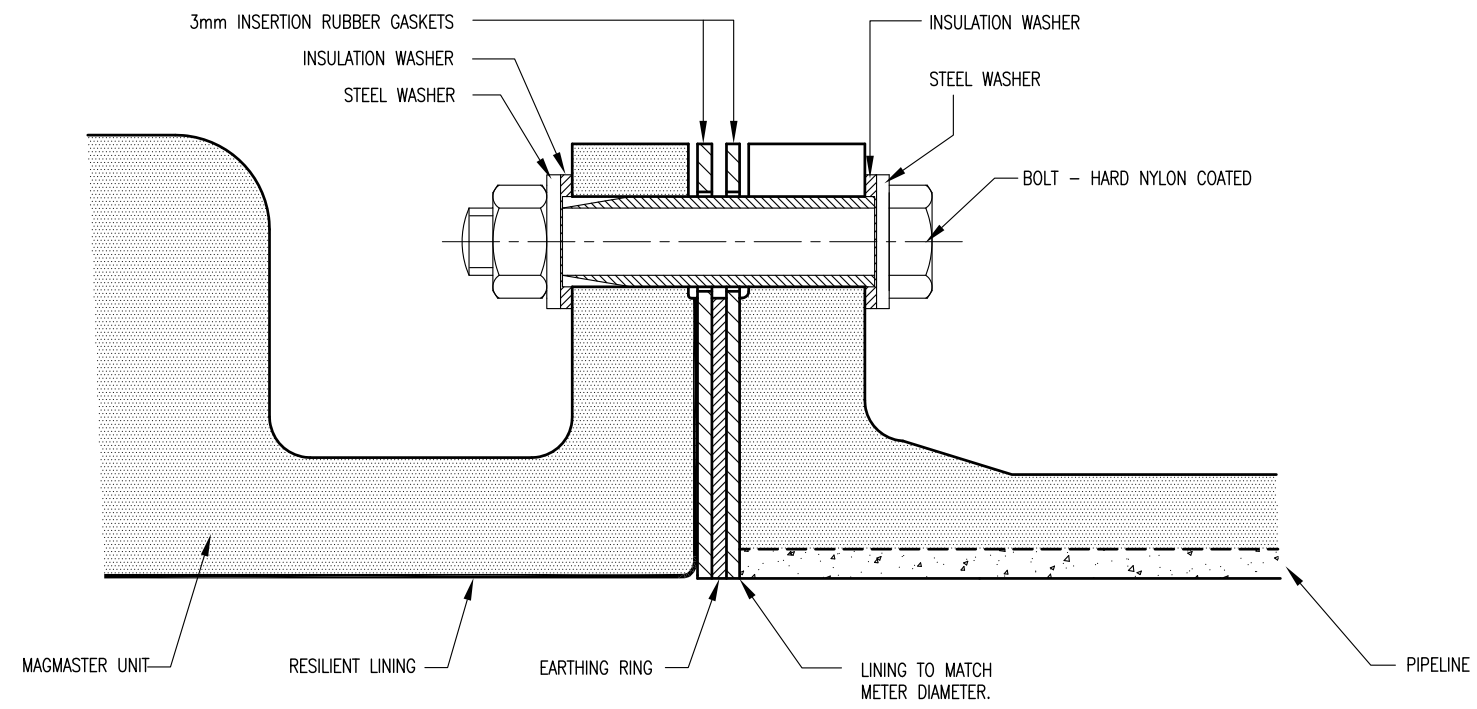
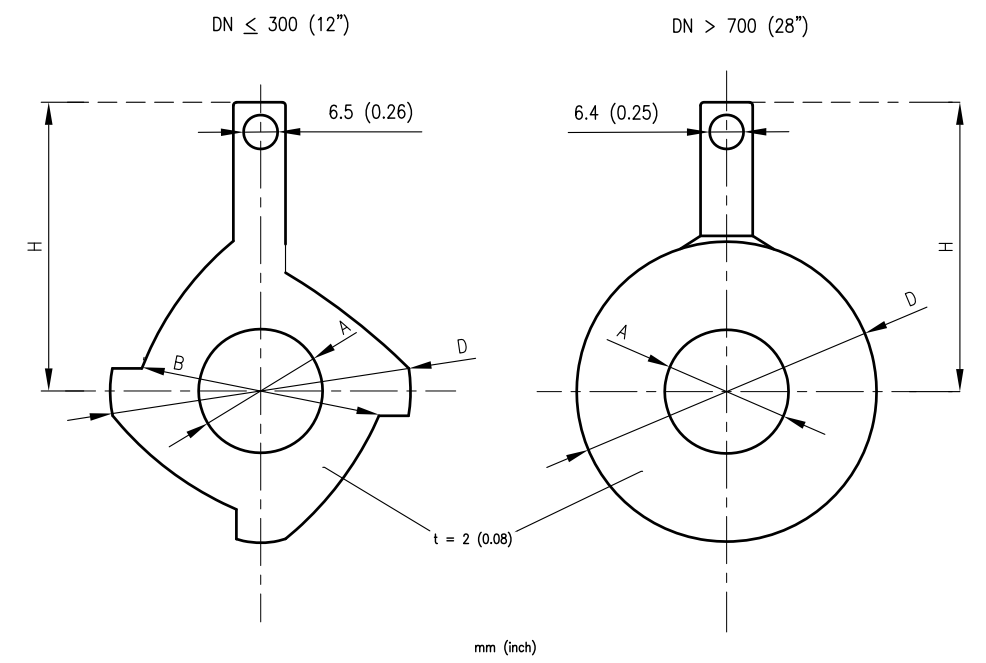


Drawing number	Description
2013182.001	Endress and Hauser flowmeter standard drawing – In chamber installation: cathodic protection application details
2013182.002	Endress and Hauser flowmeter standard drawing – Buried installation: cathodic protection application details
2013182.003	Endress and Hauser flowmeter standard drawing – In chamber installation: <u>Non</u> cathodic protection application details
2013182.004	Endress and Hauser flowmeter standard drawing – Buried installation: <u>Non</u> cathodic protection application details

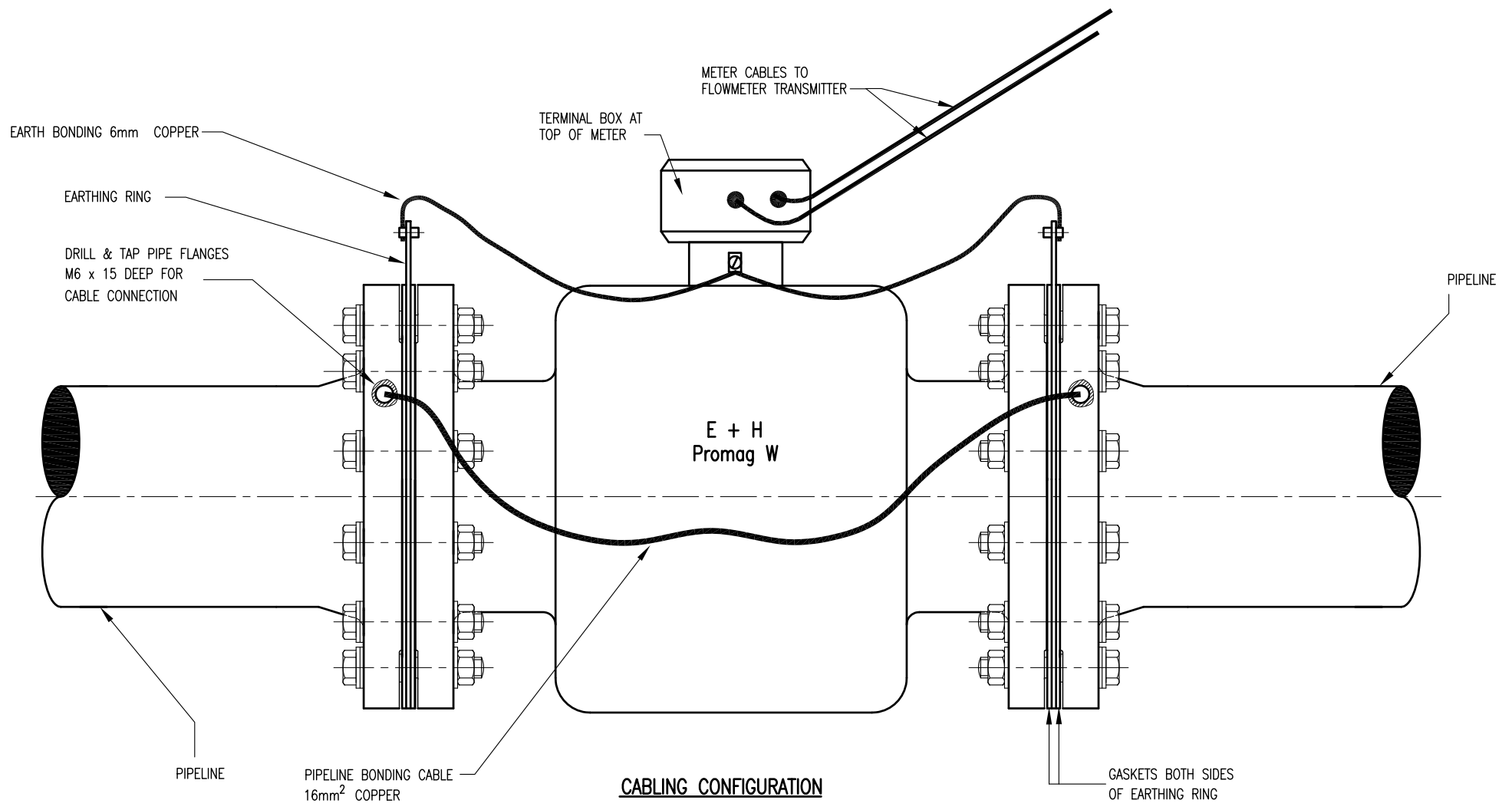


FLANGE ISOLATION DETAIL - REFER SPECIFICATION



EARTHING RING DATA

1. INSIDE DIAMETER OF RING IS TO MATCH ACTUAL BORE OF MAGFLOW METER TOLERANCE = -0 +1mm
2. MATERIAL TO BE 2mm THICK 316 STAINLESS STEEL
3. FOR DETAILED MEASUREMENTS OF EARTHING RINGS SEE INSTALLATION INSTRUCTION SHEET EA00070D/06/A2/13.14



CABLING CONFIGURATION

GENERAL NOTES

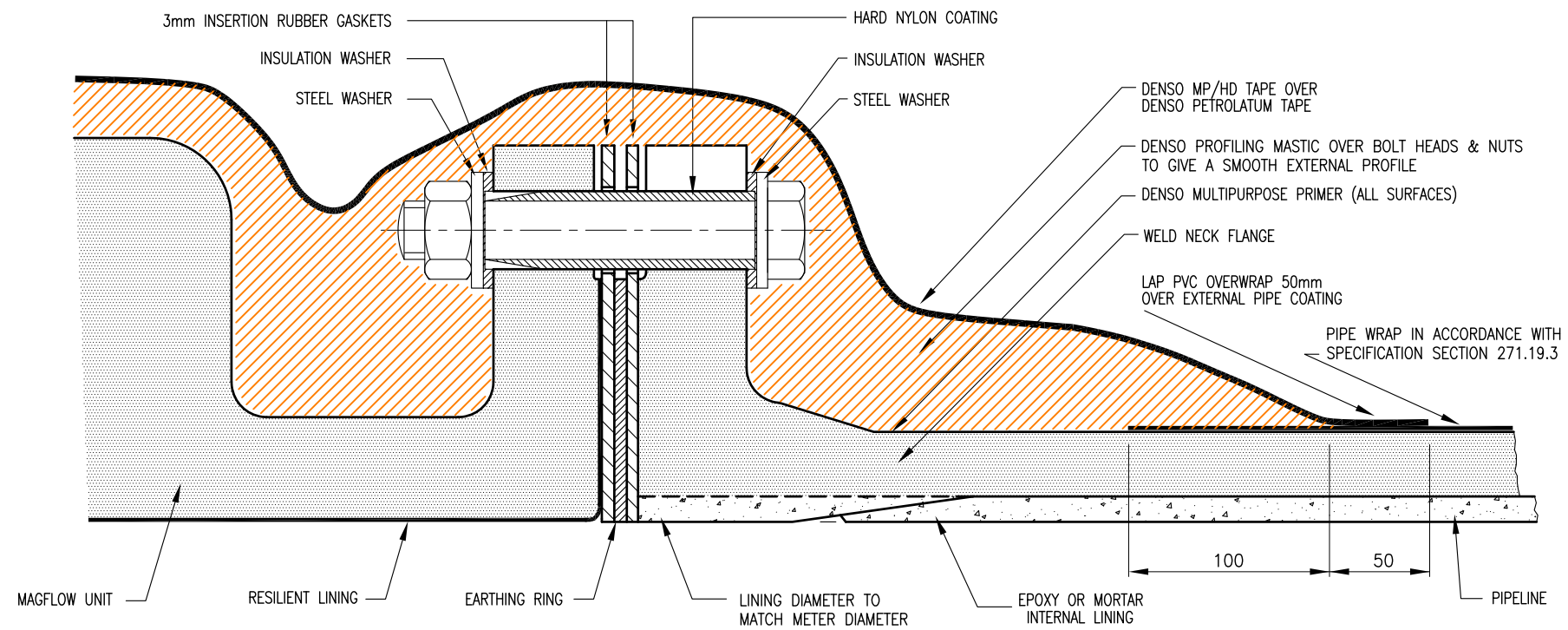
1. TO BE INSTALLED IN ACCORDANCE WITH THE WATERCARE GENERAL MECHANICAL CONSTRUCTION STANDARD NO. ME

		DESIGNED		M.H.	12/16			CAD FILE 2013182.001		DATE 03-05-2019	
		DES. CHECKED						ORIGINAL SCALE A1		CONTRACT No.	
		DRAWN		XX	12/16	SERVICE DELIVERY		N.T.S.		-	
		DWG. CHECKED						REF. No.		ISSUE	
		PROJECT LEADER						-		-	
- 03.05.19		CONSTRUCTION ISSUE		YY	ZZ			DWG. No.		2013182.001	
ISSUE	DATE	AMENDMENT		BY	APPD.	BY	DATE	INFRASTRUCTURE DELIVERY			

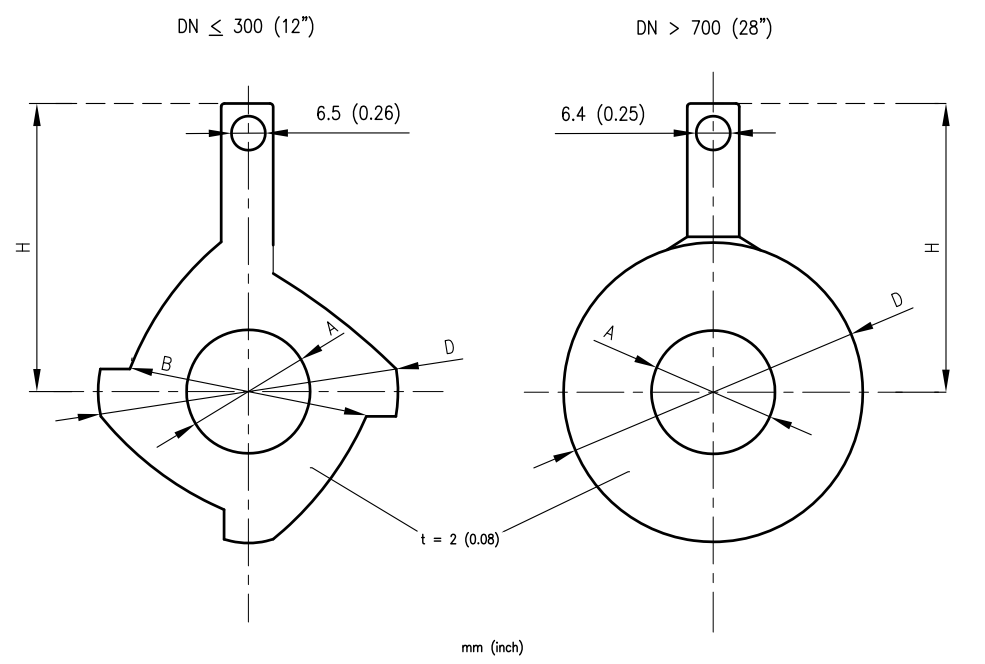


ENDRESS AND HAUSER FLOWMETER STANDARD DRAWING
CONTROL SYSTEM
FLOWMETER IN CHAMBER INSTALLATION - CATHODIC PROTECTION APPLICATION DETAILS

CAD FILE 2013182.001		DATE 03-05-2019	
ORIGINAL SCALE A1		CONTRACT No.	
N.T.S.		-	
REF. No.		ISSUE	
-		-	
DWG. No.		2013182.001	
		-	

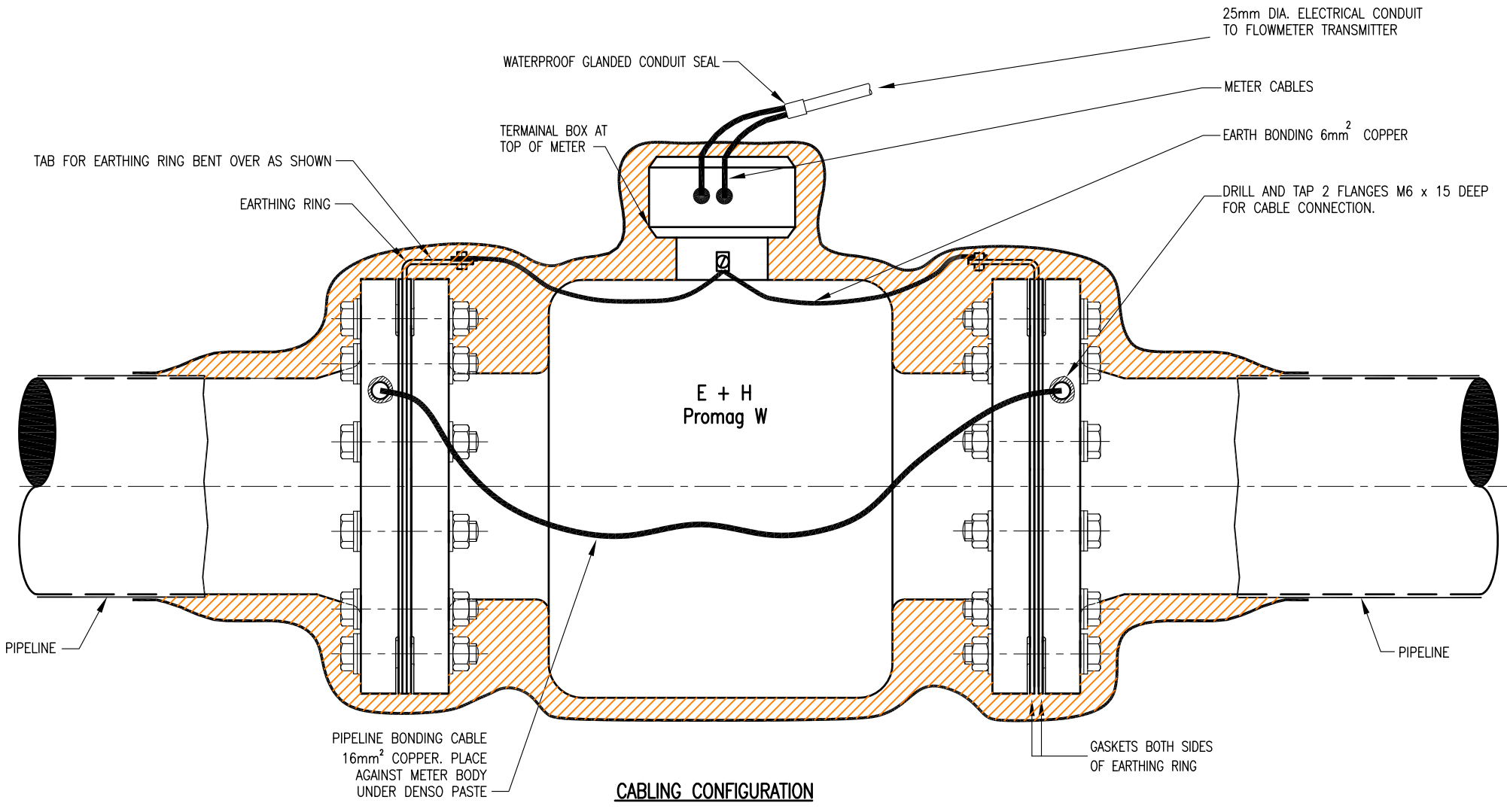


FLANGE ISOLATION AND METER WRAPPING DETAIL



EARTHING RING DATA

1. INSIDE DIAMETER OF RING IS TO MATCH ACTUAL BORE OF MAGFLOW METER TOLERANCE = -0 +1mm
2. MATERIAL TO BE 2mm THICK 316 STAINLESS STEEL
3. FOR DETAILED MEASUREMENTS OF EARTHING RINGS SEE INSTALLATION INSTRUCTION SHEET EA00070D/06/A2/13.14

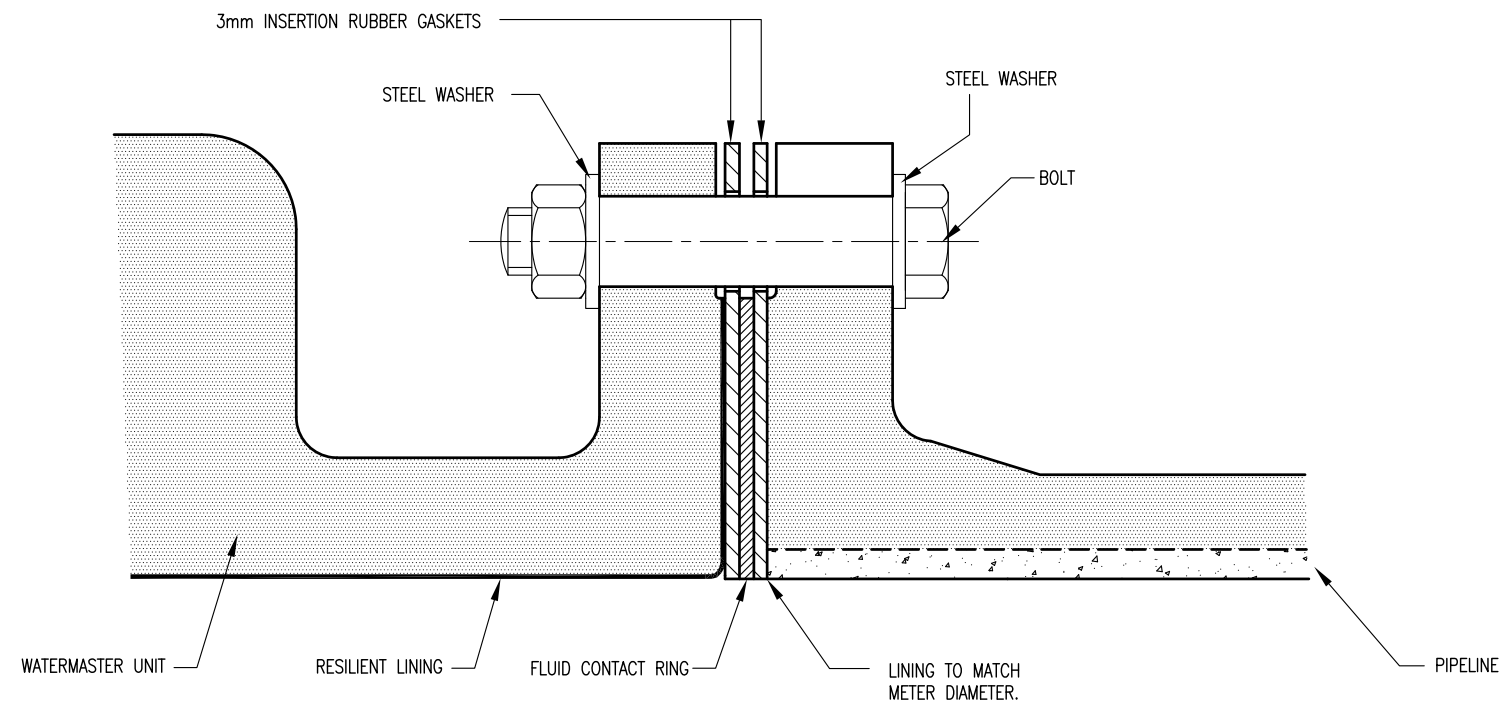


CABLING CONFIGURATION

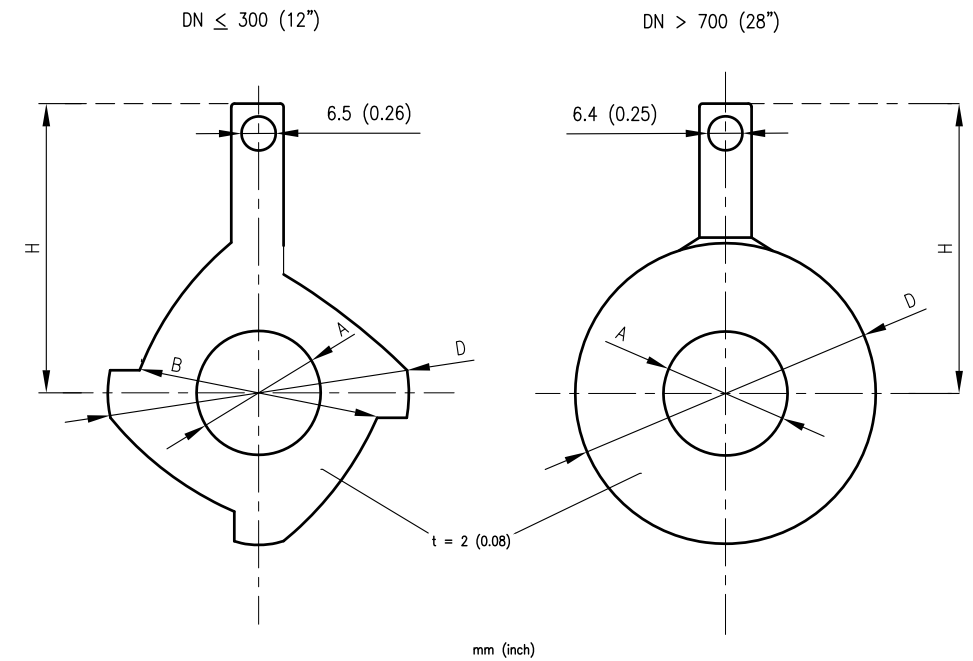
GENERAL NOTES

1. TO BE INSTALLED IN ACCORDANCE WITH THE WATERCARE GENERAL MECHANICAL CONSTRUCTION STANDARD NO. ME

DESIGNED		M.H.	12/16	<p>Watercare</p> <p>COPYRIGHT - This drawing, the design concept, remain the exclusive property of Watercare Services Limited and may not be used without approval. Copyright reserved.</p>	<p>ENDRESS AND HAUSER FLOWMETER STANDARD DRAWING</p> <p>CONTROL SYSTEM</p> <p>BURIED FLOWMETERS INSTALLATION - CATHODIC PROTECTION APPLICATION DETAILS</p>		CAD FILE 2013182.002		DATE 03-05-2019			
DES. CHECKED							ORIGINAL SCALE A1	CONTRACT No.		-		
DRAWN		XX	12/16				N.T.S.		-		ISSUE	
DWG. CHECKED							-		-		-	
PROJECT LEADER							-		-		-	
INFRAS'R APP'D				-		-		-				
ISSUE	DATE	AMENDMENT	BY	APPD.	BY	DATE	INFRASTRUCTURE DELIVERY	DWG. No.	2013182.002			
-	03.05.19	CONSTRUCTION ISSUE	YY	ZZ								

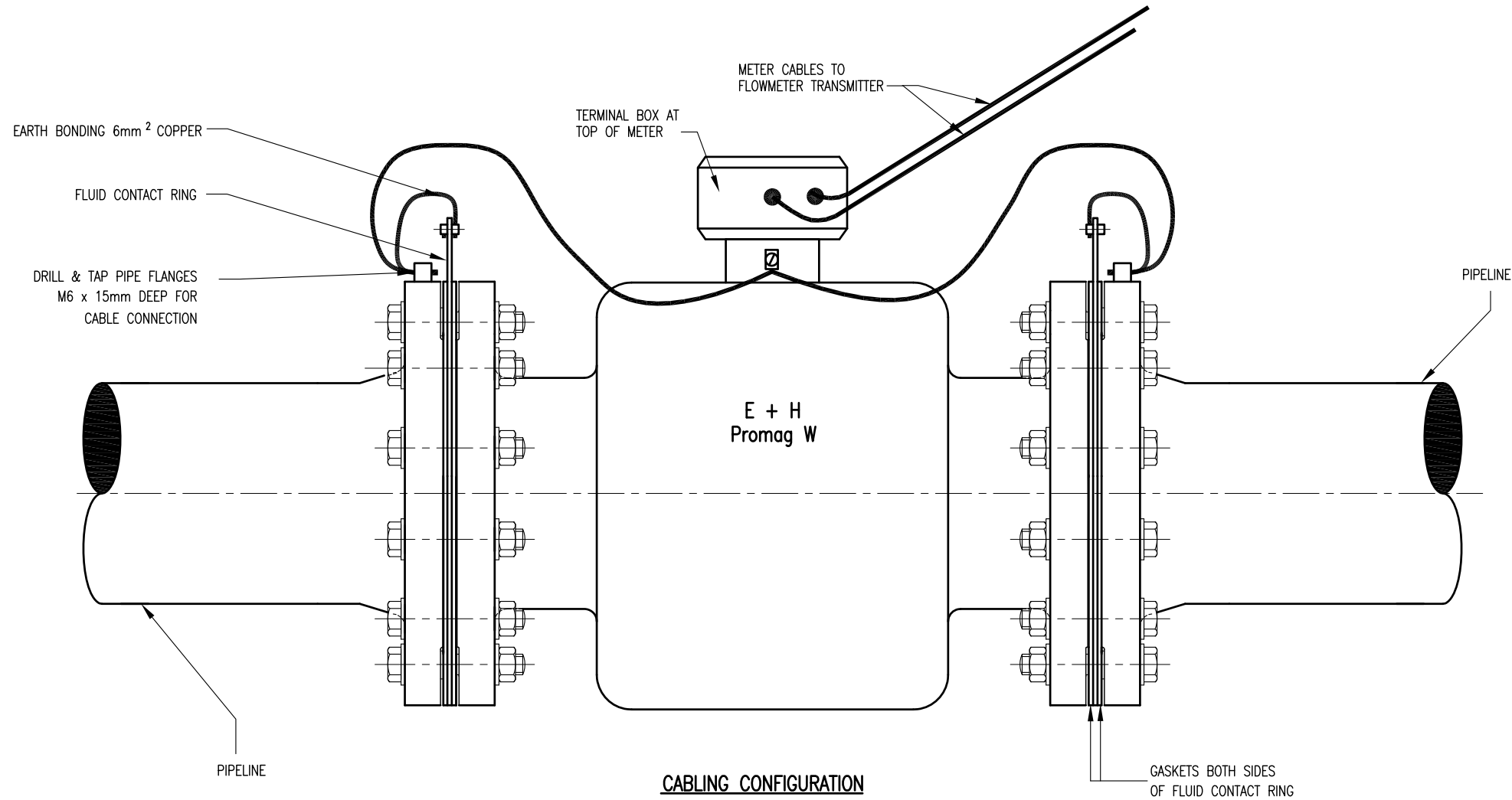


FLANGE DETAIL - REFER SPECIFICATION



EARTHING RING DATA

1. INSIDE DIAMETER OF RING IS TO MATCH ACTUAL BORE OF MAGFLOW METER TOLERANCE = -0 +1mm
2. MATERIAL TO BE 2mm THICK 316 STAINLESS STEEL
3. FOR DETAILED MEASUREMENTS OF EARTHING RINGS SEE INSTALLATION INSTRUCTION SHEET EA00070D/06/A2/13.14



CABLING CONFIGURATION

GENERAL NOTES

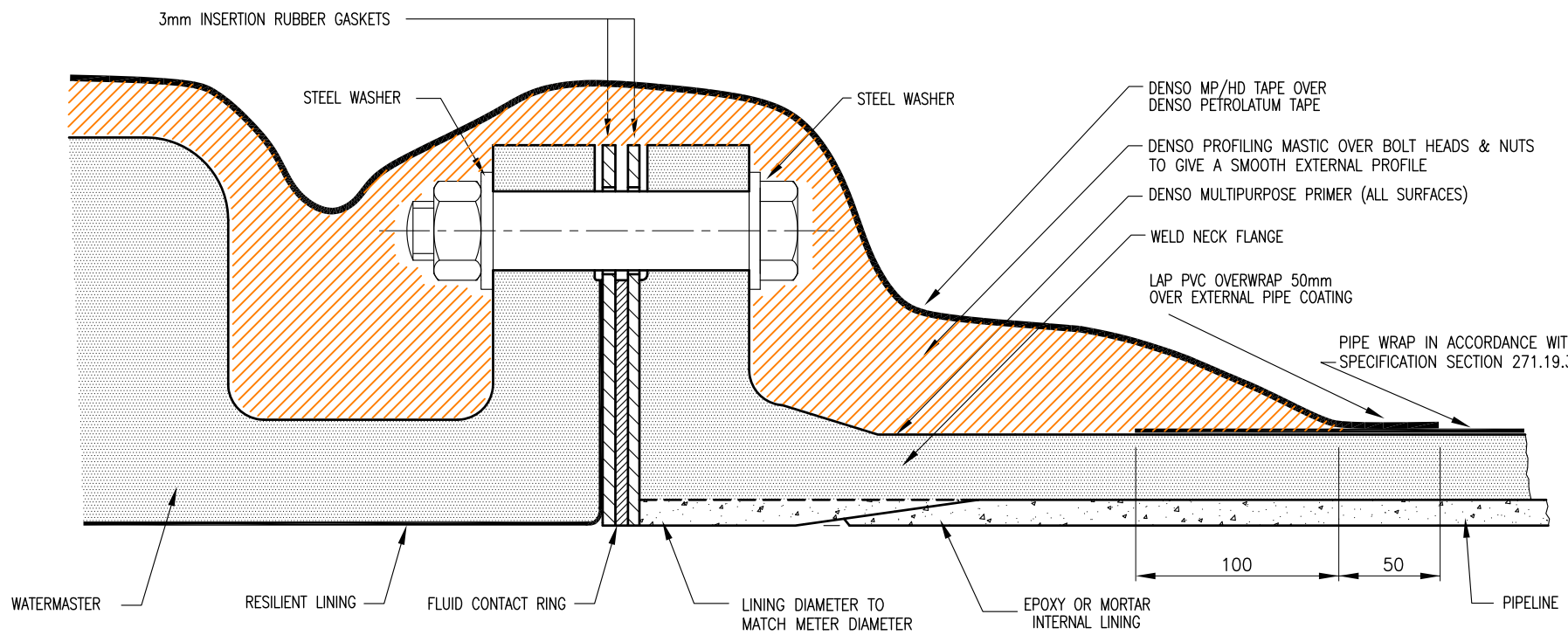
1. TO BE INSTALLED IN ACCORDANCE WITH THE WATERCARE GENERAL MECHANICAL CONSTRUCTION STANDARD NO. ME

DESIGNED	M.H.	12/16		
DES. CHECKED				
DRAWN	XX	12/16		
DWG. CHECKED				
PROJECT LEADER				
INFRASTR APP'D				
ISSUE	DATE	AMENDMENT	BY	APPD.
-	03.05.19	CONSTRUCTION ISSUE	YY	ZZ

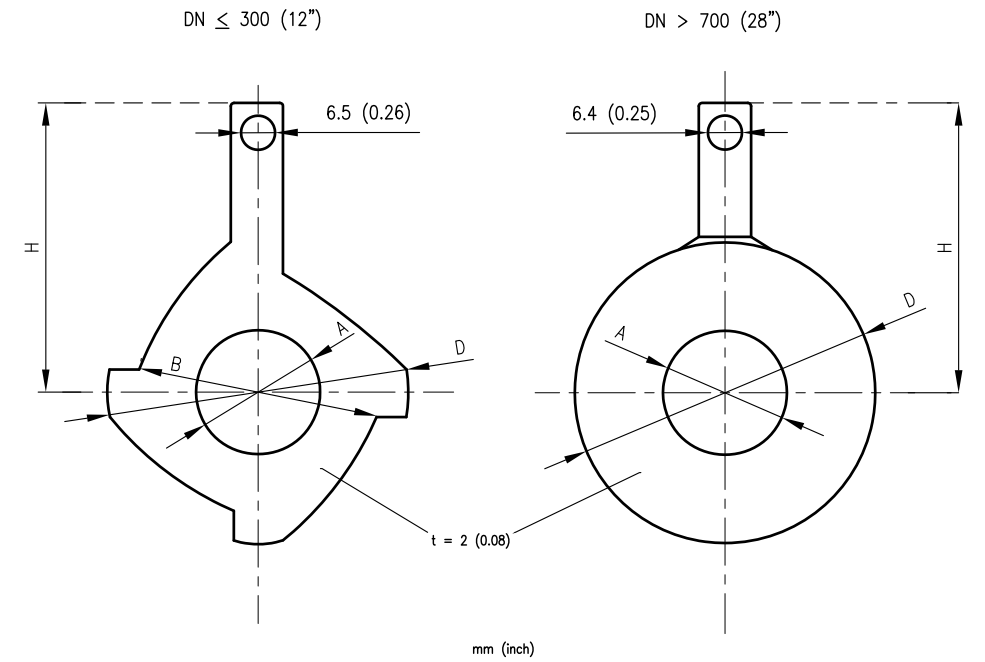
<p>Watercare</p> <p><small>COPYRIGHT - This drawing, the design concept, remain the exclusive property of Watercare Services Limited and may not be used without approval. Copyright reserved.</small></p>	<p>SERVICE DELIVERY</p> <hr/> <p>INFRASTRUCTURE DELIVERY</p>
---	--

ENDRESS AND HAUSER FLOWMETER STANDARD DRAWING
CONTROL SYSTEM
FLOWMETER IN CHAMBER INSTALLATION - NON CATHODIC PROTECTION APPLICATION DETAILS

CAD FILE	2013182.003	DATE	03-05-2019
ORIGINAL SCALE	A1	CONTRACT No.	-
	N.T.S.		
REF. No.	-	ISSUE	-
DWG. No.	2013182.003		

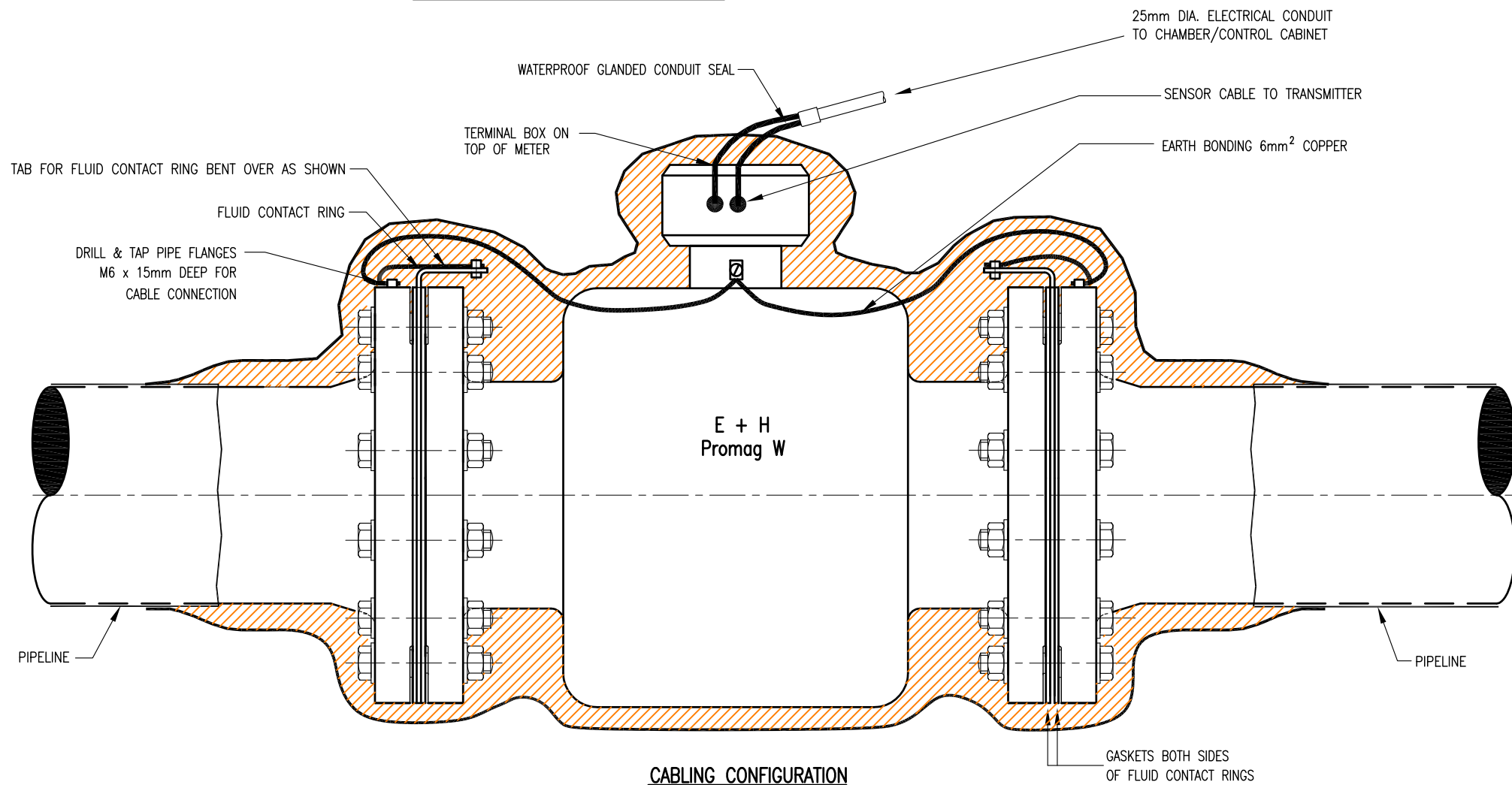


FLANGE AND METER WRAPPING DETAIL



EARTHING RING DATA

1. INSIDE DIAMETER OF RING IS TO MATCH ACTUAL BORE OF MAGFLOW METER TOLERANCE = -0 +1mm
2. MATERIAL TO BE 2mm THICK 316 STAINLESS STEEL
3. FOR DETAILED MEASUREMENTS OF EARTHING RINGS SEE INSTALLATION INSTRUCTION SHEET EA00070D/06/A2/13.14



CABLING CONFIGURATION

GENERAL NOTES

1. TO BE INSTALLED IN ACCORDANCE WITH THE WATERCARE GENERAL MECHANICAL CONSTRUCTION STANDARD NO. ME

DESIGNED	M.H.	12/16		
DES. CHECKED				
DRAWN	XX	12/16		
DWG. CHECKED				
PROJECT LEADER				
INFRASTR APP'D				
ISSUE	DATE	AMENDMENT	BY	APPD.
-	03.05.19	CONSTRUCTION ISSUE		

Watercare

COPYRIGHT - This drawing, the design concept, remain the exclusive property of Watercare Services Limited and may not be used without approval. Copyright reserved.

ENDRESS AND HAUSER FLOWMETER STANDARD DRAWING CONTROL SYSTEM

BURIED FLOWMETER INSTALLATION - NON CATHODIC PROTECTION APPLICATION DETAILS

CAD FILE	2013182.004	DATE	03-05-2019
ORIGINAL SCALE	A1	CONTRACT No.	-
REF. No.	-	ISSUE	-
DWG. No.	2013182.004		